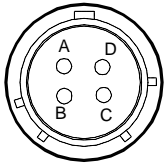


MALE END VIEW

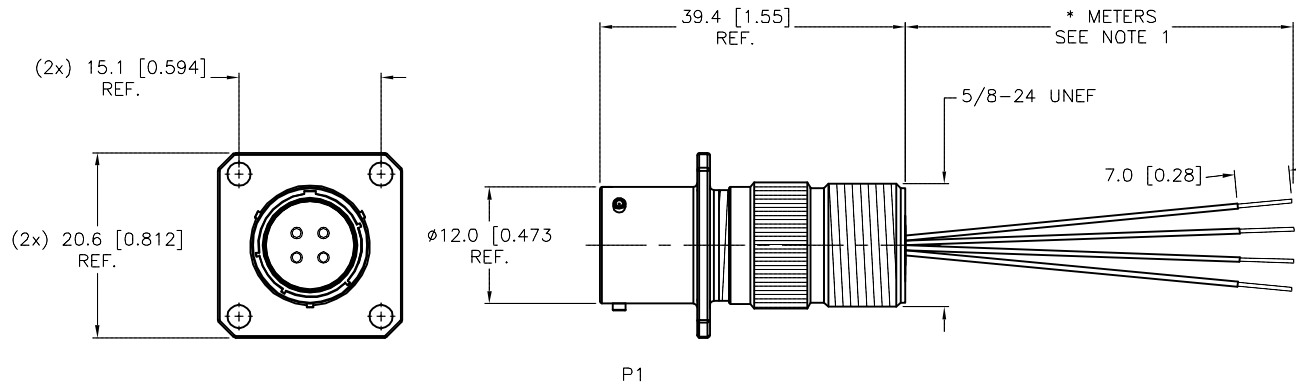


A = BROWN
 B = WHITE
 C = BLUE
 D = BLACK

CONNECTOR
 TYPE/STYLE - MS 3110A
 SHELL SIZE - 8
 INSERT ARRANGEMENT - 4P

SPECIFICATIONS

CONTACT CARRIER MATERIAL	NEOPRENE
CONTACT MATERIAL/PLATING	COPPER ALLOY/GOLD
HOUSING MATERIAL/PLATING	ALUMINUM ALLOY/OLIVE DRAB CHROMATE
RATED CURRENT [A]	5.6 A
RATED VOLTAGE [V]	300 V
CONDUCTOR INSULATION MATERIAL	PVC
NUMBER OF CONDUCTORS	4X22 AWG
TEMPERATURE RATING	-40°C to +105°C (-40°F to +221°F)
PROTECTION CLASS	MEETS NEMA 1,3,4,6P AND IEC IP67, IP68
CONNECTOR TYPE	MIL-DTL-26482



CABLE LENGTH	TOLERANCE*
ALL LENGTHS	+ 4% (OR 50mm) OF LENGTH - 0% (OR 0mm) OF LENGTH WHICHEVER IS GREATER
STRIP LENGTH	TOLERANCE*
0-7mm	±0.5mm
8-29mm	±1.0mm
30-49mm	±2.0mm
50-69mm	±3.0mm
70-100mm	±4.0mm
OVER 100mm	±5.0mm

* UNLESS OTHERWISE SPECIFIED

NOTES:

1. "*" INDICATES LEADS LENGTH IN METERS. CONTACT TURCK TO ORDER SPECIFIC LENGTH.

SOURCE DRAWING - FOR REFERENCE ONLY

RELATED DOCUMENTS 1. 2. 3. 4.	3RD ANGLE PROJECTION 	THIS DRAWING IS CONFIDENTIAL AND THE PROPERTY OF TURCK INC. USE OF THIS DOCUMENT WITHOUT WRITTEN PERMISSION IS PROHIBITED.		 3000 CAMPUS DRIVE MINNEAPOLIS, MN 55441 1-800-544-7769 (763) 553-7300 (763) 553-0708 fax www.turck.us	
		DRFT TV	DATE 03/04/16		DESCRIPTION MS 3110A-8-4P-0516-*
MATERIAL SEE SPECIFICATIONS	ALL DIMENSIONS DISPLAYED ON THIS DRAWING ARE FOR REFERENCE ONLY	APVD M.V.	SCALE 1=1.0	IDENTIFICATION NO.	REV B
FINISH SEE SPECIFICATIONS		UNIT OF MEASUREMENT MILLIMETER [INCH]			DO NOT SCALE THIS DRAWING
				SHEET 1 OF 1	

B	UPDATE DESCRIPTION	RDS	02/08/19	68599
REV	DESCRIPTION	BY	DATE	ECO NO.